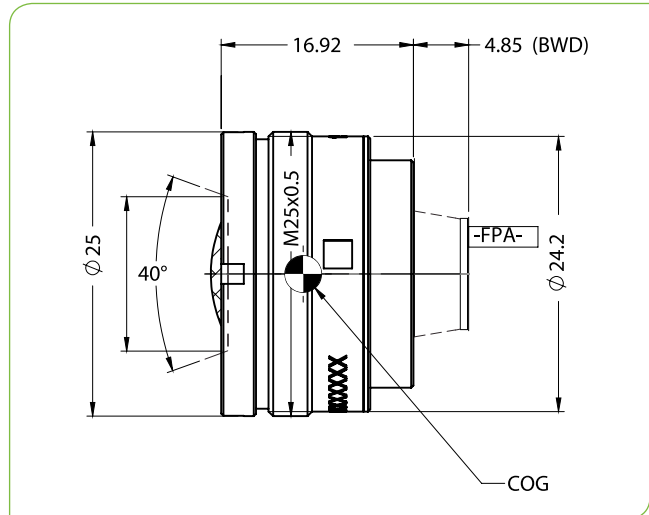


SupIR 13.6mm f/1.0, Fixed Athermalized 680345

TYPICAL ICD*

NEW



HFOV	320x240	384x288	640x480
17μ	22.8°	27.2°	
12μ	19.3°	18.5°	31°

Property	Value				
Optical					
Focal Length	13.6mm				
F#	1.0				
Average transmission (8-12μm)	93% (HD) / 86% (HC)				
Back Focal Length	8.58mm in air				
Mechanical					
Focus Mechanism	Fixed				
Depth of Field	15m to infinity				
Focus Range	7m to infinity				
Weight	18gr				
Max. Dimensions	Ø25.0mm x 16.92mm				
Environmental					
Operation Temperature	-40°C to +85°C				
Storage Temperature	-57°C to +105°C				
Sealing	Not Sealed				
Configurations	Weight (gr)	Dimensions	BWD**	Thread	Coating
680345-001	18	Ø25.0mm x 16.92mm	4.03	M22.5x0.5	HD
680345-002					HC

* The ICD drawing provided here is primarily a representation and may not accurately reflect the product's actual dimensions and specifications. For precise integration specifications contact your local sales representative.

** The BWD value is calculated for a unique detector setup with varying sealing windows in terms of thickness and material. For more details, contact your local sales representative.